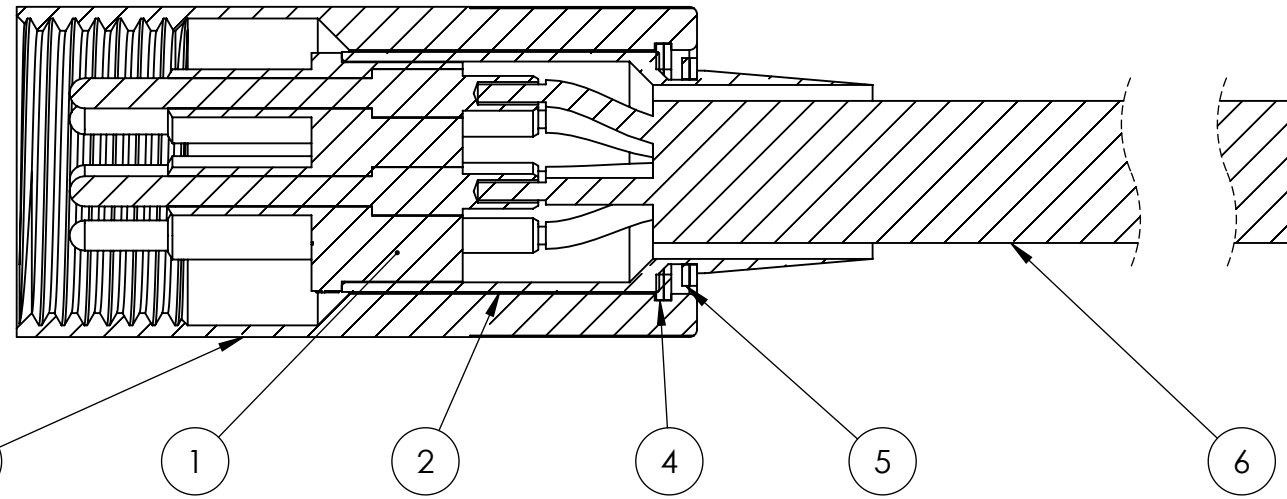
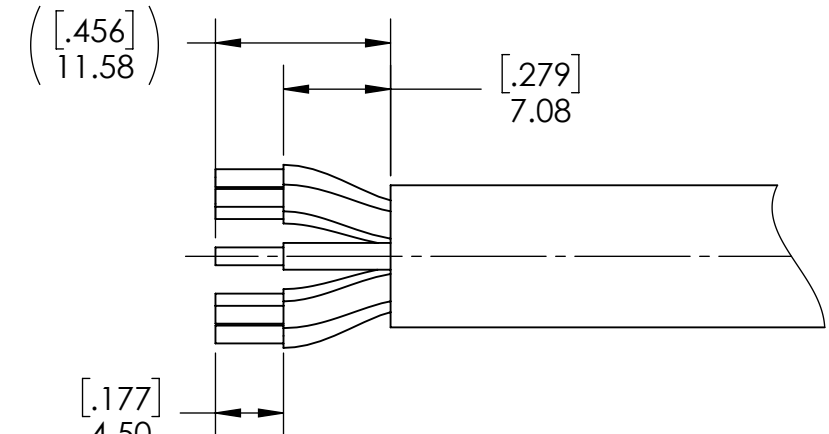
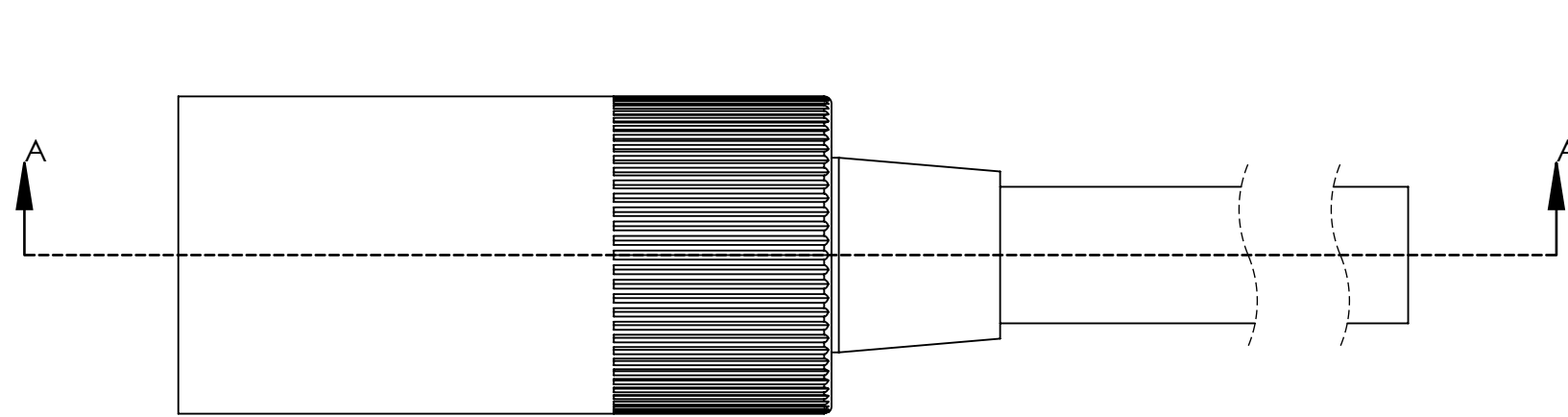


COPYRIGHT 2021 © SUBURBAN MARINE
 THE INFORMATION CONTAINED IN THIS DRAWING IS THE
 SOLE PROPERTY OF SUBURBAN MARINE, INC. ANY
 REPRODUCTION IN PART OR AS A WHOLE WITHOUT THE
 WRITTEN PERMISSION OF SUBURBAN MARINE, INC IS
 PROHIBITED.

| REVISIONS | | | |
|-----------|------|-----------------|-----------|
| ZONE | REV. | DESCRIPTION | DATE |
| | A | INITIAL RELEASE | 4/29/2021 |



SECTION A-A
 SCALE 2 : 1

| ITEM NO. | PART NUMBER | DESCRIPTION | QTY. |
|----------|-------------|--------------------------------------|------|
| 1 | BM-A-8-M | BAROMAX CONNECTOR MALE 8-PIN | 1 |
| 2 | BM-A-IL-A | BAROMAX INLINE BACKSHELL | 1 |
| 3 | BM-A-LR-F-A | BAROMAX LOCKING RING, SIZE A, FEMALE | 1 |
| 4 | BM-SR-160 | SNAP RING, 16mm | 1 |
| 5 | BM-SR-130 | SNAP RING, 13mm | 1 |
| 6 | BM-CABLE-B | 18/8 CABLE | 1 |

UNLESS OTHERWISE SPECIFIED:
 DIMENSIONS ARE IN mm

ANGULAR ± 1°
 X ± 1.0mm
 .X ± 0.4mm
 .XX ± 0.1mm

INTERPRET GEOMETRIC
 TOLERANCING PER: ISO 2768- mK
 MATERIAL

FINISH NONE
 NONE

WEIGHT:

| | NAME | DATE |
|----------|------|----------|
| DRAWN | MM | 20210429 |
| CHECKED | | |
| APPROVED | | |
| APPROVED | | |

THIRD ANGLE
 PROJECTION:

DO NOT SCALE DRAWING



TITLE:
**BAROMAX INLINE CABLE
 TERMINATION GUIDE**

SIZE DWG. NO. REV
B SM-1513 A

SCALE: 1:1 SHEET 1 OF 1