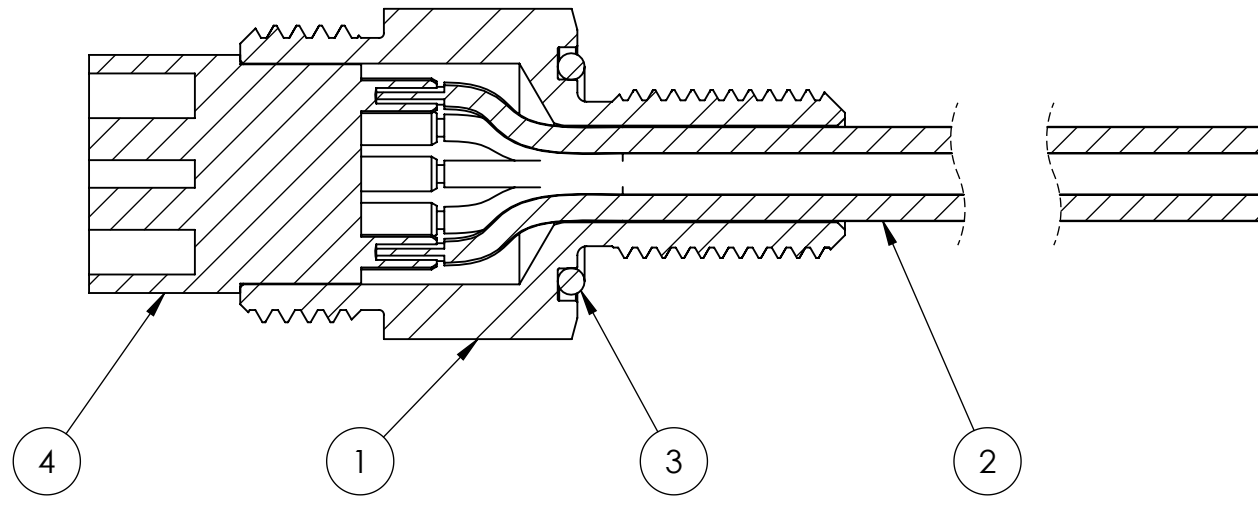
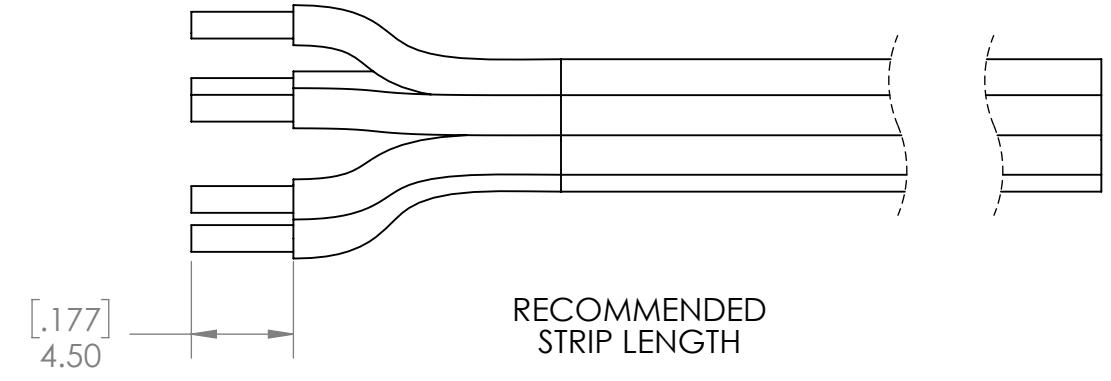
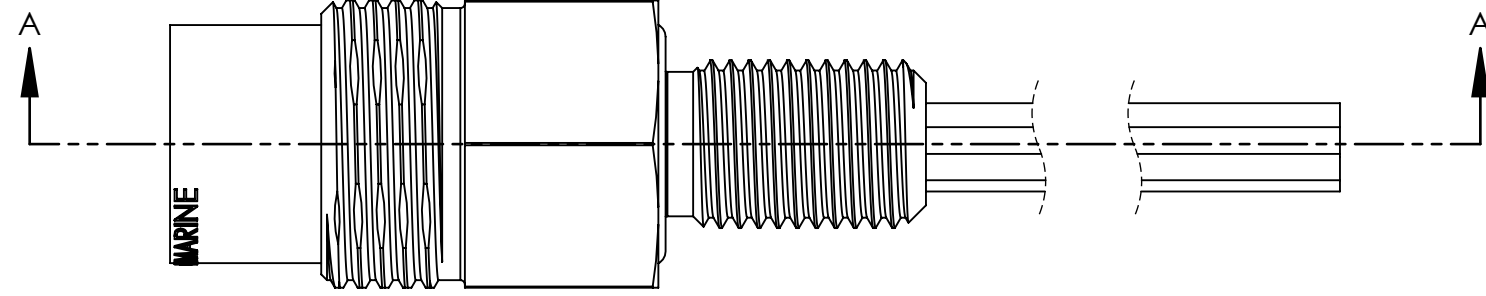


COPYRIGHT 2021 © SUBURBAN MARINE
 THE INFORMATION CONTAINED IN THIS DRAWING IS THE
 SOLE PROPERTY OF SUBURBAN MARINE, INC. ANY
 REPRODUCTION IN PART OR AS A WHOLE WITHOUT THE
 WRITTEN PERMISSION OF SUBURBAN MARINE, INC IS
 PROHIBITED.


REVISIONS				
ZONE	REV.	DESCRIPTION	DATE	APPROVED



SECTION A-A
SCALE 2 : 1

ITEM NO.	PART NUMBER	DESCRIPTION	Bulkhead Connector/QTY.
1	BM-A-BH-A	BULKHEAD BACKSHELL 7/16-20 THREAD	1
2	BM-CABLE-C	BULKHEAD HOOKUP WIRES	1
3	BM-OR-A	O-RING 014	1
4	BM-A-8-F	BAROMAX CONNECTOR FEMALE 8-PIN	1

UNLESS OTHERWISE SPECIFIED:		NAME	DATE
DIMENSIONS ARE IN mm		DRAWN	MM 20210927
ANGULAR ± 1°		CHECKED	
X ± 1.0mm		APPROVED	
.X ± 0.4mm		APPROVED	
.XX ± 0.1mm		THIRD ANGLE PROJECTION:	
INTERPRET GEOMETRIC TOLERANCING PER: ISO 2768- mK		DO NOT SCALE DRAWING	
MATERIAL NONE		SCALE: 1:2	
FINISH NONE		SHEET 1 OF 1	
WEIGHT:			



Suburban Marine

TITLE:
BAROMAX BULKHEAD CABLE TERMINATION GUIDE

SIZE DWG. NO. REV
B SM-1516 A

8

7

6

5

4

3

2

1

D

D

C

C

B

B

A

A

8

7

6

5

4

3

2

1